



APPLICATION BASED FREQUENCY CONVERTERS

Eekels frequency converters, easy control for any application.

Eekels Experience

Eekels frequency converters are equipped with the most modern techniques. The functionality of the converters is based on more than 25 years of experience in design, production and installation of frequency controlled drives. Each converter is equipped with a control system that converts a standard squirrel cage motor into a perfect adjustable one.

Eekels, as the manufacturer of the frequency converters, can add hardware and software modules to customise the drive.

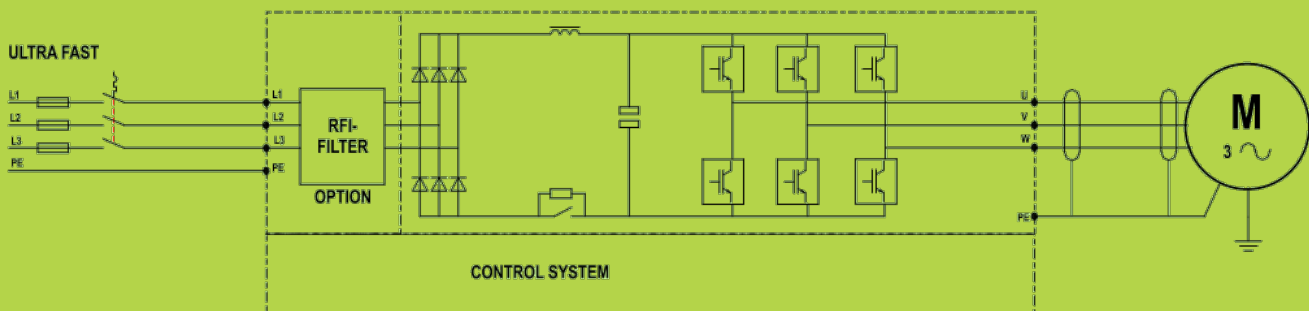
- Air cooled or water cooled
- 6-pulse, 12-pulse or Active front-end
- 400 V / 690 V
- AC and DC bus options
- 50 hz or 60hz
- 5,5 kW - 5 MW
- IP23 - IP56

The standard frequency converter supports many applications, such as:

- | | | |
|---------------|---------------|---------|
| ➤ Cranes | ➤ Centrifuges | ➤ Fans |
| ➤ Cargo Pumps | ➤ Compressors | ➤ Wings |
| ➤ Scrubbers | ➤ Etc. | |



APPLICATION BASED FREQUENCY CONVERTERS



Characteristics of the EVE frequency converters:

- High starting torque
- Quick response time (1ms)
- High efficiency of more than 97,5%
- Frequency range 0,01 up to 200,00 Hz
- Programmable in- and outputs
- Integrated setpoint PID
- Fieldbus Profibus-DP and Modbus-RTU integrated
- Programming through Modbus/TCP-IP
- Common DC-bus
- Universal control system
- According EnergieNed directive
- Motor sound switching behaviour
- Suitable for wall and cabinet mounting
- Dynamic control

